

# 2/2 way solenoid valves ND 3 to 8 with sealed core tube



for aggressive gaseous and liquid fluids  
Directly solenoid actuated  
Seat valves  
Internal threads G 1/4 and G 3/8  
Operating pressure 0 to 7 bar (see table)

Publication 7502726.06.03.01  
Catalogue index  
**A12**  
82 080 series

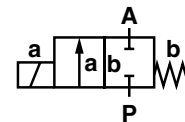
## Description

Flow direction: determined  
Fluid temperature: -10 °C to max. +110 °C  
Ambient temperature: 0 °C to max. + 50 °C  
Sum of fluid and ambient temperature: max. +130 °C  
Mounting position: optional, preferably solenoid vertical on top  
Material Body: PVDF  
Seat seal: EPDM  
Bellows: PTFE



## Features

- Suitable for aggressive fluids
- Clear design
- Compact solenoid with integrated core tube
- Sealed core tube with PTFE-bellows
- Insensitive against furring and magnetization of foreign particle



Switching function:  
Normally closed

## Characteristic data

ND [mm]	Connection (Thread acc. to DIN ISO 228/1)	Operating pressure with gaseous and liquid fluids up to 80 mm <sup>2</sup> /s (cSt) [bar]		k <sub>v</sub> -value <sup>1)</sup> (Base m <sup>3</sup> /h)	Weight [kg]	Cat. no.			
		min.	max.			Solenoid DC		Solenoid AC	
3	G 1/4	0	7	0.23	0.30	82 080 00. 8050	82 080 00. 8051	82 081 00. 8050	82 081 00. 8051
3	G 3/8	0	7	0.23	0.30	82 080 60. 8050	82 080 60. 8051	82 081 60. 8050	82 081 60. 8051
4.5	G 1/4	0	5	0.42	0.30	82 080 70. 8050	82 080 70. 8051	82 081 70. 8050	82 081 70. 8051
4.5	G 3/8	0	5	0.42	0.30	82 080 80. 8050	82 080 80. 8051	82 081 80. 8050	82 081 80. 8051
6	G 1/4	0	2	0.62	0.30				
6	G 3/8	0	2	0.62	0.30				
8	G 1/4	0	1	0.83	0.30				
8	G 3/8	0	1	0.83	0.30				

<sup>1)</sup> C<sub>v</sub>-value (US) = k<sub>v</sub>-value x 1.2

State voltage [v] and frequency [Hz]

## Solenoids

Standard voltages	DC	AC
		40 up to 60 Hz
	24 V	24 V
	205 V	230 V

Design acc. to VDE 0580  
Voltage range ±10 %  
100 % duty cycle  
Protection class acc. to EN 60529 IP 65 (previous DIN 40050)  
Socket acc. to DIN 43 650  
AC solenoid with rectifier

For technical details see catalog register "solenoids"

## Power consumption <sup>2)</sup>

Solenoid	DC	AC
		Inrush and Holding
8050	12 W	–
8051	–	13 VA

<sup>2)</sup> According to VDE 0580 at coil temperature +20 °C. In operating the solenoid decrease the power consumption appr. 30%.

## IMI Norgren Buschjost GmbH + Co. KG

PO Box 10 02 52-53  
D-32502 Bad Oeynhausen

Tel +49 (0) 57 31 79 10  
Fax +49 (0) 57 31 79 11 79

<http://www.buschjost.com>  
e-mail: mail@buschjost.de

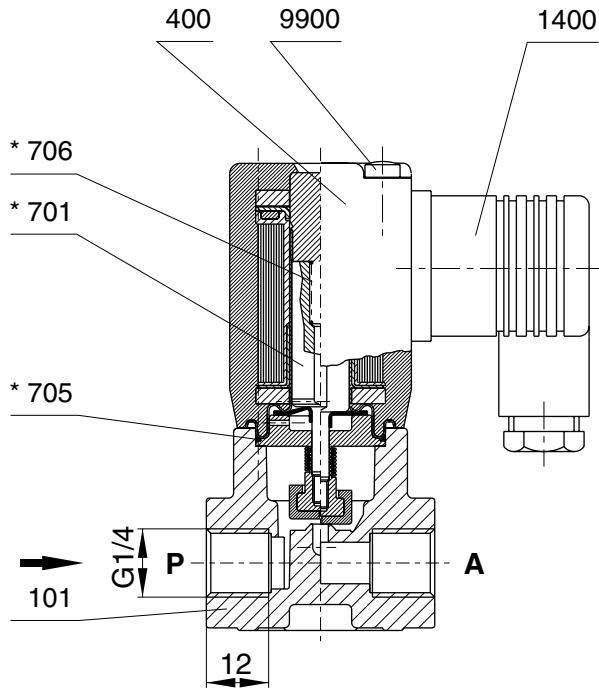
## Further models

available at extra cost

- XX XXX X3.XXXX Seat seal FPM
- XX XXX X6.XXXX Seat seal PTFE

- **On request** Further versions:  
Solenoids in protection class  
EEx me T3;  
Spigots for cement  $\varnothing 12$  or  $\varnothing 16$  mm

## Section



- 101 Body
- 400 Solenoid
- \* 701 Core, complete
- \* 705 O-ring
- \* 706 Pressure spring
- 1400 Socket
- 990 Oval head cap screw

\* These individual parts form a complete wearing unit.  
When ordering spare parts please state Cat no and series no.

**Hint:**  
Socket sketched 90° rotated

## Dimensions

