

# 2/2-way valves DN 8 to 25 with EC type examination certificate

for neutral gaseous and liquid fuels  
Solenoid actuated with forced lifting  
Diaphragm valves  
Internal threads G 1/4 to G 1  
Operating pressure 0 to 8 bar

82370



## Description (Standard valve)

Solenoid valve for neutral gaseous and liquid fuels

Switching function :	Normally closed
Flow direction :	determined
Fluid temperature :	-10°C up to max. +60°C
Ambient temperature :	-10°C up to max. +50°C
Mounting position :	optional, preferably solenoid vertical on top

## Material

Body:	Brass
Seat seal:	FPM
Internal parts:	Stainless steel, 1.4310, Brass, PVDF

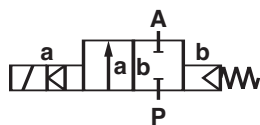
Usage of a strainer is absolutely necessary (mesh size max. 0,25 mm)!



## Features

- Valve operates without differential pressure ( $\Delta p$ )
- Qualification approval acc. EN 161/3394 part 1 and EN 264
- Solenoid easy to exchange
- Response time < 1s

## Symbol



## Ordering information

To order, quote model number from table overleaf, e.g. 8237000.9381 for a G 1/4 valve with standard solenoid.

## Characteristic data

See page 2 valve and solenoid informations

**EC type examination certificate**  
**Product ID-No.: CE-0085 AU0323**  
**Valve class B**  
**Valve group 2**

Detmolder Strasse 256  
D-32545 Bad Oeynhausen  
PO Box 10 02 52-53  
D-32502 Bad Oeynhausen  
Phone ++49 5731 / 7 91-0  
Fax ++49 5731 / 791-179  
<http://www.buschjost.com>  
[mail@buschjost.de](mailto:mail@buschjost.de)

**Characteristic data**

**Valves**

Part Number DC solenoid	AC solenoid	ND (mm)	Port size Pipe ø	Operating pressure min	(bar) max.	kv-value ** (Base m <sup>3</sup> /h)	Weight (kg)
8237000.9381 8237080.9381	8237000.9382 8237080.9382	8	G 1/4 Pipe ø 10mm	0	4 8	1.6	1.00 1.20
8237100.9381 8237180.9381	8237100.9382 8237180.9382	10	G 3/8 Pipe ø 12 mm	0	4 8	2.0	0.90 1.10
8237200.9381 8237280.9381	8237200.9382 8237280.9382	12	G 1/2 Pipe ø 15 mm	0	4 8	2.3	0.90 1.10
8237300.9381 8237380.9381	8237300.9382 8237380.9382	20	G 3/4 Pipe ø 22 mm	0	4 8	5.8	1.55 1.85
8237400.9381 8237480.9381	8237400.9382 8237480.9382	25	G 1 Pipe ø 28 mm	0	4 8	6.1	1.45 1.75

\* with gaseous and liquid fluids up to 25 mm<sup>2</sup>/s (cSt)

State voltage [V] and frequency [Hz]

\*\* C<sub>V</sub>-value (US) ≈ k<sub>V</sub>-value x 1.2

**Note**

Operating pressure exceeding 4 bars female threaded sealing connections are not allowed.  
Outer threaded version available on request (extra charge).

**9381/9382 Solenoid**

Standard voltages

DC	AC	
	40 Hz	60 Hz
24 V	24 V	–
–	110 V	120 V
205 V	230 V	220 V

Design acc. to DIN VDE 0580

Voltage range ±10 %

100 % duty cycle

Protection class acc. to EN 60529 IP65 with mounted socket

Socket acc. to DIN EN 175301-803 A (included)

A.C. Version: Socket with integrated rectifier

**Power Consumption**

According to DIN VDE 0580 at coil temperature +20°C. During operation the solenoid coil decrease the power consumption appr. by 30%.

DC	AC	
	Inrush	Holding
18 W	20 VA	20 VA

**Options (Valves)**

XXXXX80.XXXX

Pipe fitting

On request

Further versions

**Options (Solenoids)**

XXXXXX.9356

Solenoid in protection class EEx me II T3

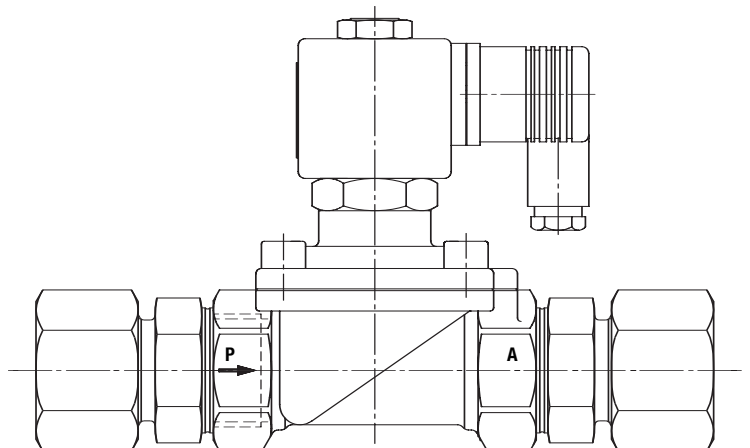
Ex II 2 GD T 140°C

acc. to KEMA 02ATEX 1218 X

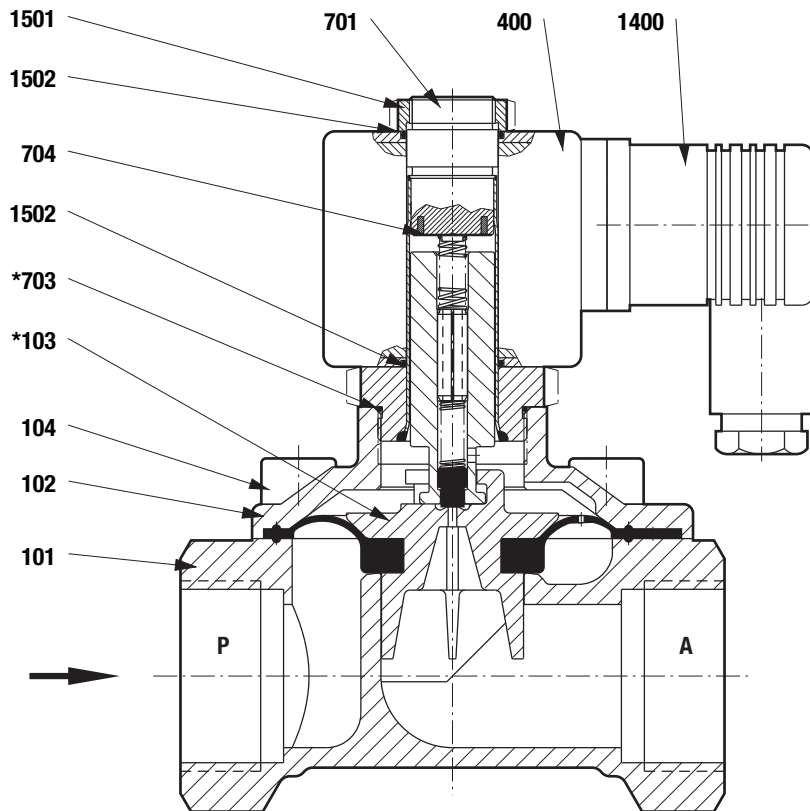
On request

Further versions

**Valve with mounted pipe fitting**



## Section View

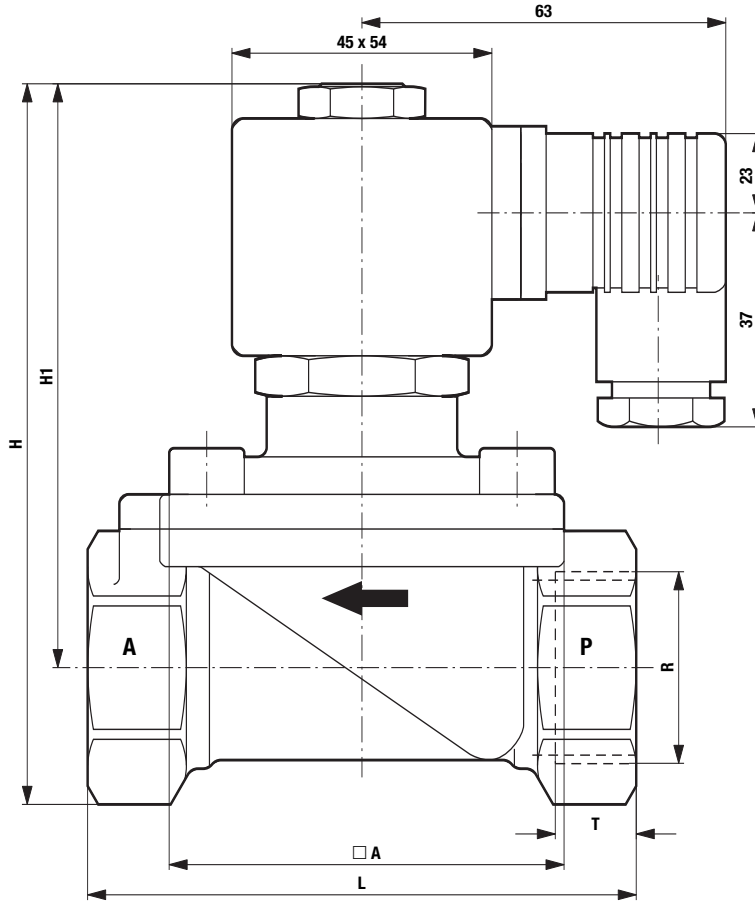


- 101 Valve body
- 102 Valve cover
- \*103 Diaphragm, complete
- 104 Oval head cap screw up to G 1/2  
Socket head cap screw from G 3/4
- 400 Solenoid
- 701 Core tube
- \*703 O-ring
- 704 Round plate
- 1400 Socket
- 1501 Hexagon nut
- 1502 O-ring

\* These individual parts form a complete wearing unit.  
When ordering spare parts please state Cat No. and Series No.

General Dimensions

Solenoid rotatable 360°  
Socket turnable 4 x 90°



Part Number	□ A	H	H1	L	R	T
8237000.938x	44	105	90	67	G 1/4	12.0
8237100.938x	44	105	90	67	G 3/8	12.0
8237200.938x	44	105	90	67	G 1/2	14.0
8237300.938x	70	130	105	95	G 3/4	12.5
8237400.938x	70	130	105	95	G 1	14.0

**Note to Pressure Equipment Directive (PED):**

The valves of this series are according to Art. 3 § 3 of the Pressure Equipment Directive (PED) 97/23/EG. This means interpretation and production are in accordance with engineers' practice well-known in the member countries. The CE-sign at the valve does not refer to the PED. Thus the declaration of conformity is not longer applicable for this directive.

**Note to Electromagnetic Compatibility Guideline (EEC):**

The valves shall be provided with an electrical circuit which ensures the limits of the harmonised standards EN 50081-1 and EN 50082-1 are observed, and hence the requirements of the Electromagnetic Compatibility Guideline (89/336/EEC) are satisfied.