

AIR, STEAM
Closed when de-pressurised (NC)

Ports	Orifice size [mm]	Kv value [l/min] (water at 1 bar)	Fluid pressure [bar]		Pilot pressure [bar]		Cylinder size [mm]	Flow direction	Order code
			Min	Max*	Min	Max			
G1/2	15	70	0	16	3.5	10	63	1 ? 2	397531
G3/4	20	130	0	16	3.5	10	63	1 ? 2	397532
G1	25	310	0	16	3.5	10	63	1 ? 2	397533
G6/4	40	700	0	10	3.5	10	63	1 ? 2	397535
G2	50	860	0	10	4.5	10	63	1 ? 2	397536

*Max 10 bar with steam!

WATER
Closed when de-pressurised (NC)

Ports	Orifice size [mm]	Kv value [l/min] (water at 1 bar)	Fluid pressure [bar]		Pilot pressure [bar]		Cylinder size [mm]	Flow direction	Order code
			Min	Max	Min	Max			
G1/2	15	70	0	10	3.5	10	63	2 ? 1	397531
G3/4	20	130	0	10	3.5	10	63	2 ? 1	397532
G1	25	310	0	10	3.5	10	63	2 ? 1	397533
G6/4	40	700	0	10	3.5	10	90	2 ? 1	397538
G2	50	860	0	6	4.5	10	90	2 ? 1	397540

ORDERING:

Please state order code from above table or consult our staff.
 For easier valve choice use QUESTIONNAIRE on page 36.

OPTIONS:

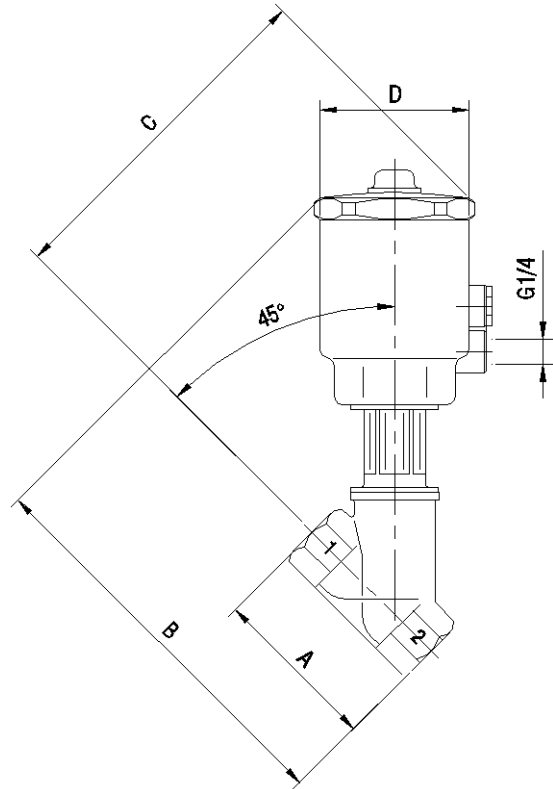
- NO function (valve open when de-pressurised)

Other versions on request.

Specifications are subject to change without notice.

TECHNICAL DATA:

Valve body: stainless steel (AISI 316L)
 Internal parts: stainless steel
 Seals: PTFE
 Fluids: neutral or aggressive
 Fluid temperature: -10°C to +180°C
 Pilot fluid: air, inert gases, water (max 60°C)



Dimensions [mm] and masses [kg]

G	A	B	C	D	Mass
1/2"	65	192	171	80	1.4
3/4"	75	198	176	80	1.5
1"	90	212	185	80	1.9
6/4"	120	230	198	80	3
2"	150	248	207	80	3.7
6/4"	120	239	207	110	3.6
2"	120	257	216	110	4.3

Pilot valve D321
(to be ordered separately)

Voltage	Order code
230VAC	330511
24VAC	330530
24VDC	330540
48VAC	330520
115VAC	330560

